



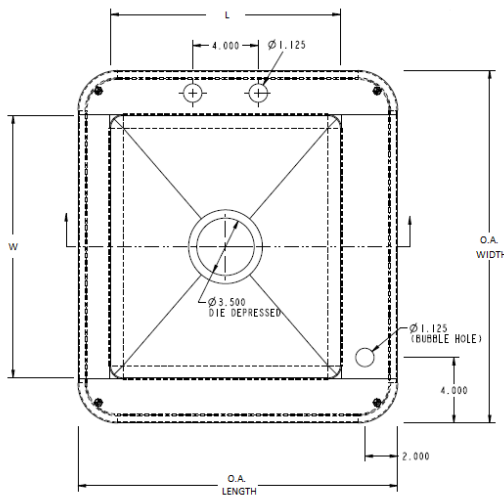
ONE COMPARTMENT DROP-IN SINK WITH BUBBLER

PROJECT#: _____

ITEM# _____

MODEL# _____

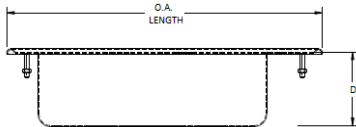
Model #	Bowl Size L x W x D	O.A. Dims L x W
DB-1-1416-4.5-R , or L	14"x16"x4 1/2"	19"x21 1/2"
DB-1-1416-7.5-R , or L	14"x16"x7 1/2"	19"x21 1/2"
DB-1-1916-4.5-R , or L	19"x16"x4 1/2"	24"x21 1/2"
DB-1-1916-7.5-R , or L	19"x16"x7 1/2"	24"x21 1/2"



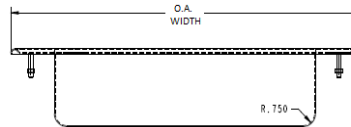
PLAN



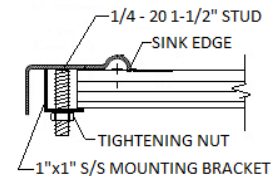
ISOMETRIC VIEW



ELEVATION



SECTION



DETAIL SECTION

Mechanical Specifications

- 16 gauge 304 stainless steel fabrication
- 3 1/2" drain opening with crumb cup drain and basket strainers 1 1/2" IPS
 - Fully welded, seamless and polished to a #3 commercial finish
 - Horizontal and vertical corners covered to a 3/4" radius
 - Die formed depression to drain in bowl bottom
 - 1 set of faucet holes 4" o.c.
 - 1" x 1" stainless steel mounting bracket
 - 1/4 – 20 studs @ 1 1/2" long welded to underside of sink edge
 - Feathered edge around perimeter of sink bowl on all 4 sides
 - NSF listed and labeled

Optional

- 14 gauge 304 stainless steel fabrication available
 - Different bowl sizes and depths
 - Additional faucet drillings
 - Sound deadening to underside of sink bowl
 - ADA options